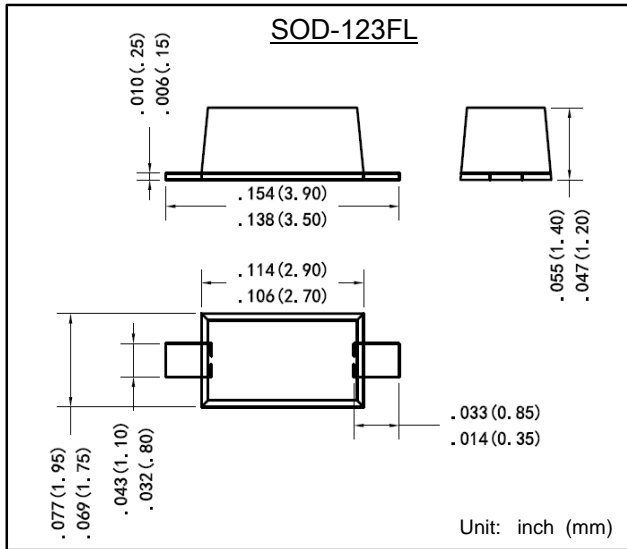


表面安装肖特基二极管  
 反向电压 20 ~ 100 V  
 正向电流 2.0 A

**Surface Mounted Schottky Barrier Rectifiers**  
 Reverse Voltage 20 ~ 100 V  
 Forward Current 2.0 A



### 特征 Features

- 反向漏电流低 Low reverse leakage
- 正向浪涌承受能力强 High forward surge capability
- 高信赖性 High reliability
- 高温焊接保证 High temperature soldering guaranteed: 260°C/10 秒 260°C/10seconds
- 引线 and 管体皆符合RoHS标准 Lead and body according with RoHS standard
- 型号后缀“-F”标记无卤素产品 Green compound with suffix "-F" on Marking

### 机械数据 Mechanical Data

- 封装外形:SOD-123FL塑封 Case:SOD-123FL Molded plastic
- 环氧树脂 : UL易燃等级 : 94V-0 Epoxy: UL 94V-0 rate flame retardant
- 引脚 : 镀锡,无铅 Lead: Pure tin plated, lead free
- 通过 IATF16949体系认证 Accreditation through IATF16949 System
- 高可靠性等级 High reliability grade (AECQ 101 qualified)

### 最大值和特性 TA = 25°C 除非另有规定。

### Maximum Ratings & Characteristics Ratings at 25°C ambient temperature unless otherwise specified.

参数 Parameter	符号 Symbols	DSS 22L-Q	DSS 23L-Q	DSS 24L-Q	DSS 25L-Q	DSS 26L-Q	DSS 27L-Q	DSS 28L-Q	DSS 29L-Q	DSS 210L-Q	单位 Unit
最大可重复峰值反向电压 Maximum repetitive peak reverse voltage	$V_{RRM}$	20	30	40	50	60	70	80	90	100	V
最大均方根电压 Maximum RMS voltage	$V_{RMS}$	14	21	28	35	42	49	56	63	70	V
最大直流阻断电压 Maximum DC blocking voltage	$V_{DC}$	20	30	40	50	60	70	80	90	100	V
最大正向平均整流电流 Maximum average forward rectified current	$I_{F(AV)}$	2.0									A
正向不重复浪涌电流 8.3 ms单一正弦半波 Non-repetitive peak forward surge current 8.3 ms single half sine-wave	$I_{FSM}$	50									A
最大正向电压 @IF=2.0A Maximum forward voltage	$V_F$	0.47			0.55			0.75			V
最大反向电流 @V <sub>DC</sub> TA= 25°C Maximum reverse current TA= 100°C	$I_R$	0.5						0.3			mA
典型热阻 Typical thermal resistance (Note 1)	$R_{\theta JA}$	85									°C/W
	$R_{\theta JL}$	25									
典型结电容 VR=4.0V,f=1MHz Type junction capacitance	$C_J$	120									pF
工作结温 Operating junction	$T_J$	-55 --- +125						-55 --- +150			°C
存储温度 Storage temperature rang	$T_{STG}$	-55 --- +150									°C

备注 Note:

1) 安装在PCB板上，从PN结到周围环境的热阻。

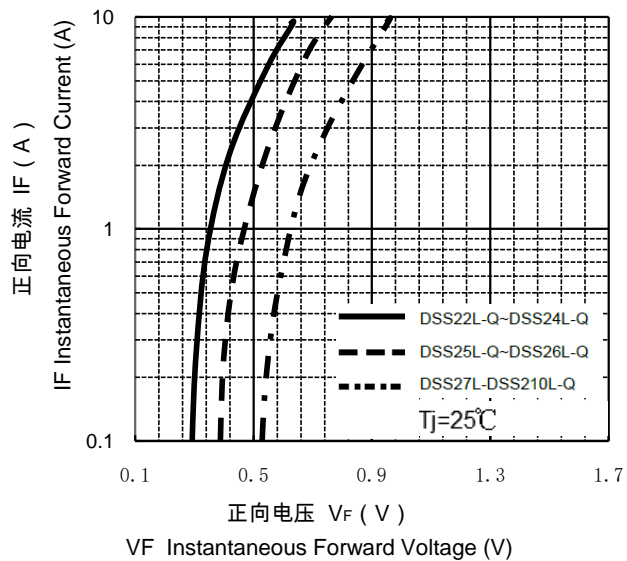
1) Thermal resistance from junction to ambient , PCB mounted.



特性曲线 Characteristic Curves

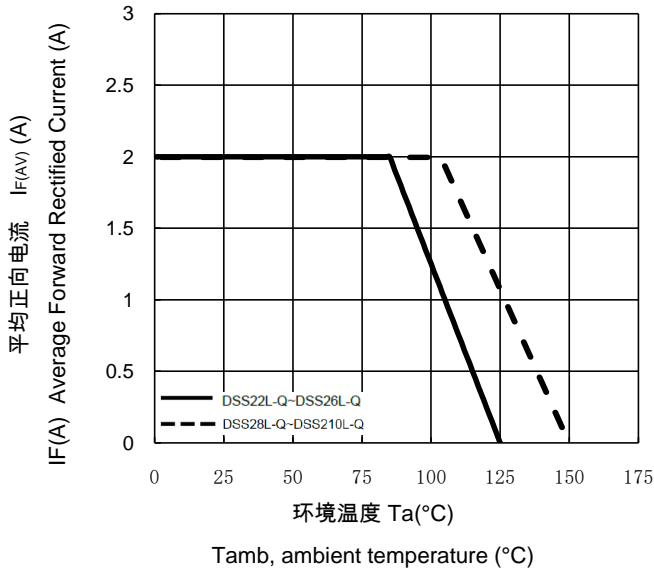
正向特性曲线 (典型值)

TYPICAL FORWARD CHARACTERISTIC



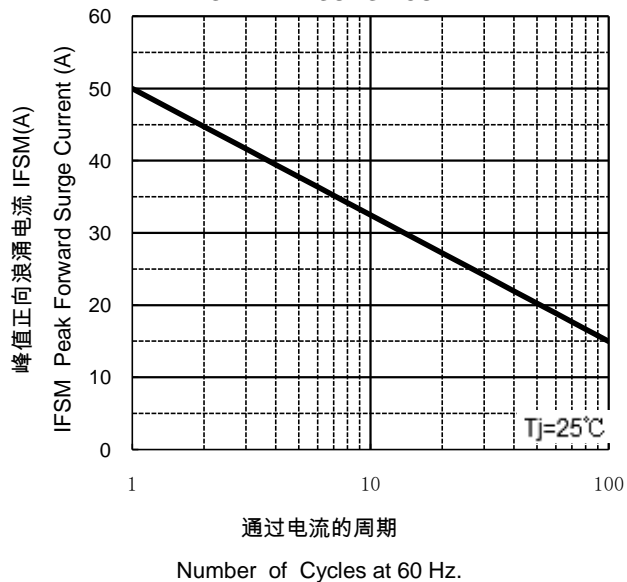
正向电流降额曲线

FORWARD CURRENT DERATING CURVE



浪涌特性曲线 (最大值)

MAXIMUM NON REPETITIVE  
PEAK FORWARD SURGE CURRENT



反向特性曲线

Typical Reverse Characteristics

